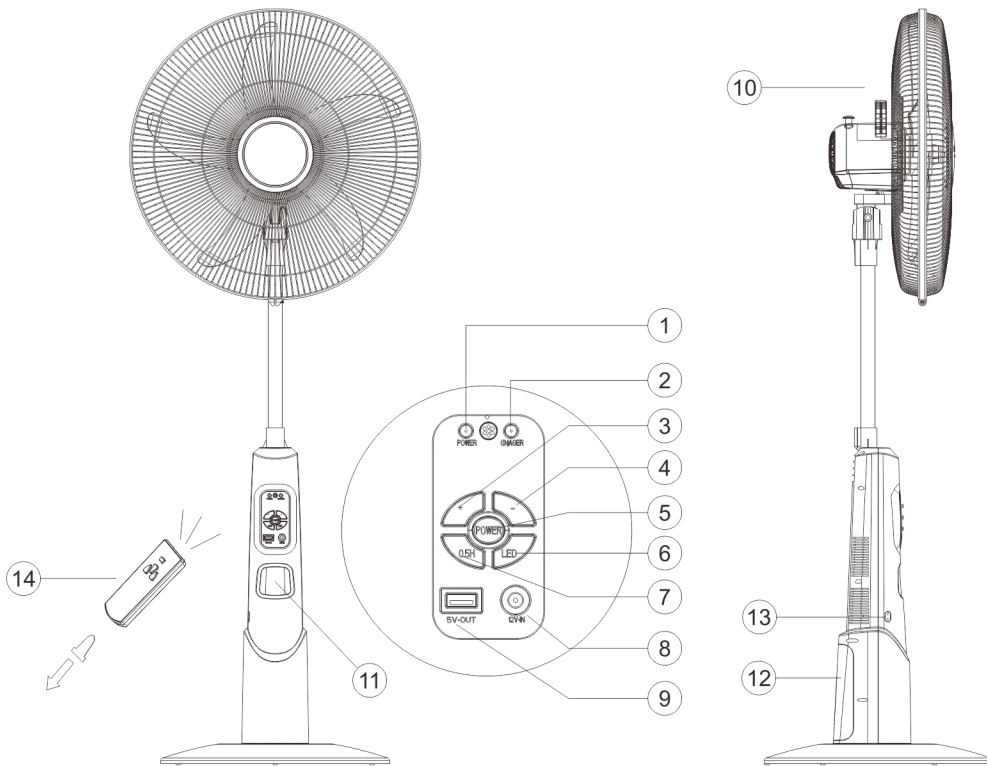
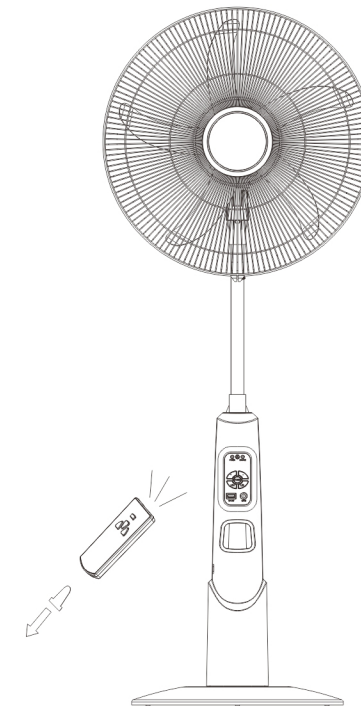


INSTRUCTION MANUAL 18" RECHARGEABLE FLOOR FAN



NAME OF PARTS

- | | |
|------------------------|------------------------------|
| 1. OPERATING INDICATOR | 8. DC SOCKET |
| 2. CHARGING INDICATOR | 9. USB SOCKET |
| 3. SPEED UP BUTTON | 10. OSCILLATION CONTROL LOCK |
| 4. SPEED DOWN BUTTON | 11. LED |
| 5. POWER BUTTON | 12. BATTERY COVER |
| 6. LED BUTTON | 13. AC SOCKET |
| 6. TIMING BUTTON | 14. REMOTE CONTROL |



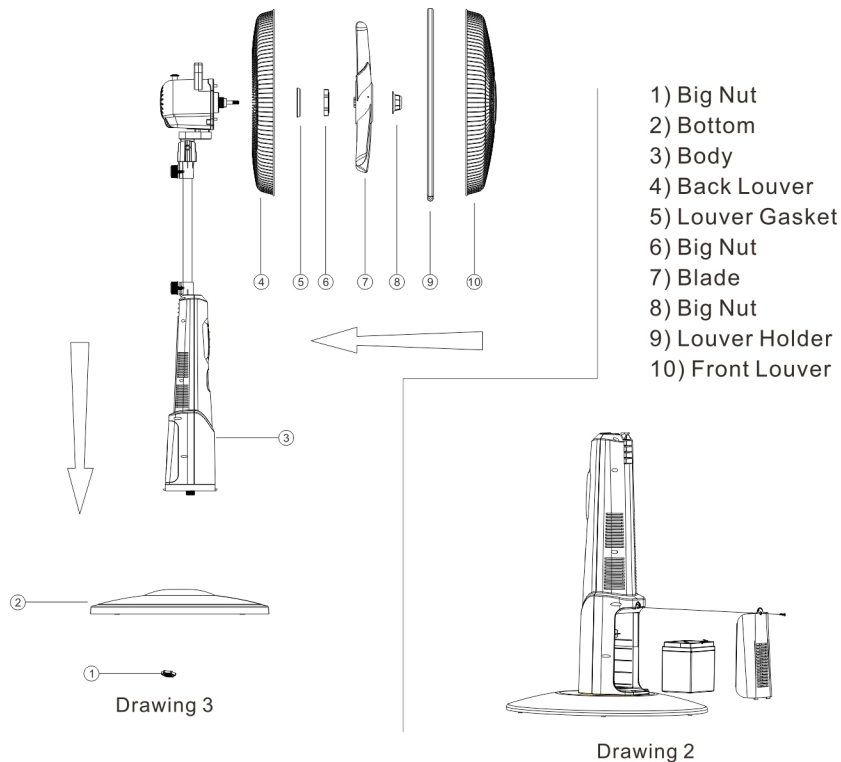
Thank you for using our product, please read the instruction manual carefully before initial use.

IMPORTANT NOTICE

- * This appliance is not intended for use by person (including children) with reduced physical, sensory or mental capabilities, or lack of experience and knowledge, unless they have been given supervision or instruction concerning use of the appliance by a person responsible for their safety.
- * Children should be supervised to ensure that they do not play with the appliance.
- * "X" type supply cord: If the supply cord is damaged, it must be replaced by a special cord or assembly available from the manufacturer or its service agent.
 1. Fully charge the product before use. Read "HOW TO CHARGE".
 2. Switch off the product during storage. Periodically charge the product at least 8 hours every three months when storage.
 3. Keep out of water or rain for proper use. The perfect working temperature is between 0°C and 40°C.
 4. Once the product is out of operation, do not open or repair unless the qualified person.

HOW TO ASSEMBLE

1. When open the packing, double check the parts all in readiness, if have any question, pls contat with supplier.
2. According the class diagram 3
3. When finished assemble, then inspection machine.



HOW TO OPERATE

1. Press the power button (5), the operating indicator(1) will light up. The fan is in ready mode. User can operate the fan now.
2. Press (3) to speed up, press (4) to speed down.
3. Press (6) the first time, LED strong light on, press (6) the second time, LED weak light on, Press (6) the third time, LED light off..
4. When the fan is working, press timing button (7), the operating indicator (1) will flicker, the fan come into timing mode, it will be turn off after 30 minutes . Press the timing button again, timing function is cancel..
5. Press oscillation control lock(10) to control the fan oscillation function
6. The fan is with over-discharge protection function. When the fan stop working, please charge the battery.

HOW TO CHARGE

1. Make sure the power supply is consistent with the rating of product before charging.
 2. Method one: Connect the power cable to the AC socket, the charge indicator lights up .
 3. Method two: Connect the external power supply (DC 12V) to the DC socket, the charge indicator lights up .
- Attention: Method two is only for charging, can't use the fan function at same time...
4. The product is with overcharge and over-discharge protection function.

HOW TO REPLACE BATTERY

1. Open the cover of the battery and take out the old battery.
2. Connect the battery with correct positive pole and negative pole.
Put back the battery,close the cover.

Correct Disposal of this product



This marking indicates that this product should not be disposed with other household wastes. To prevent possible harm to the environment or human health from uncontrolled waste disposal, recycle it responsibly to promote the sustainable reuse of material resources. To return your used device, please use the return and collection systems or contact the retailer where the product was purchased.

TECHNICAL DATA

1. Power source: AC 180-240V~50/60Hz
2. Battery: 12V 4.5Ah sealed lead-acid rechargeable battery.
3. Light source: 4pcs LED
4. Charge time: 12-15 hours
5. Duration: Fan: 2 hours/ Highest speed
20 Hours/ Lowest speed
LED: 45 hours / strong light
60 hours / weak light
6. Dimension: 516x400x1415mm